



YLS

A selection chart "cylinder/hand pumps" can be found on page 421-423.

Low-height and flat cylinders model YLS and model YFS

Single-acting with spring return, capacity max. 10 - 100 t

Low-height cylinders are recommended for all lifting, pushing, levelling, pressing applications especially in tight working areas.

These very compact hydraulic cylinders are designed for lifting and positioning jobs as well as all general maintenance applications, where low height, portability and light weight are needed. These versatile cylinders are found in all industrial areas like steel mills, civil engineering, heavy construction industry, power plants, off-shore industries etc. Due to their short strokes flat cylinders should not be subjected to side loading.

Features

- Yale ChroMo-Design.
- Operating pressure max. 700 bar.
- Single-acting with spring return.
- Low height for tight working areas.
- Cylinder body and piston are made from solid chromium-molybdenum steel and heat-treated.
- Stop ring can bear full capacity (pressure) and is fitted with dirt wiper.
- Oil port thread 3/8 NPT.
- Incl. female coupler half model CFY-1.
- Model YLS-100/55 is equipped with two lifting rings model YFS-100/15 comes with a carrying handle.



YFS

Technical data model YLS

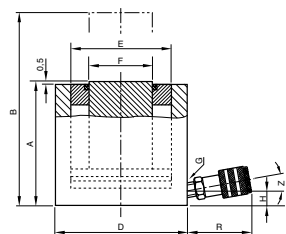
Cylinder size	Model	EAN-No. 4025092*	Capacity max.	Lift	Effective plunger area	Oil volume max.	Closed height	Cylinder outside diameter	Weight
t			kN	mm	cm ²	cm ³	mm	mm	kg
10	YLS-10/35	*150804	100	35	14.3	51	86	70	2.5
20	YLS-20/45	*150811	200	45	28.6	128	100	85	4.0
30	YLS-30/60	*150828	300	60	42.9	266	120	100	6.5
50	YLS-50/60	*150835	500	60	71.5	426	122	125	10.4
100	YLS-100/55	*150842	1000	55	143.0	788	141	170	24.0

Technical data model YFS

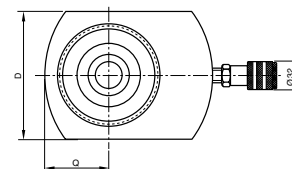
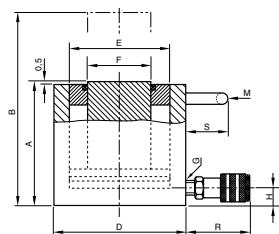
Cylinder size	Model	EAN-No. 4025092*	Capacity max.	Lift	Effective plunger area	Oil volume max.	Closed height	Cylinder outside diameter	Weight
t			kN	mm	cm ²	cm ³	mm	mm	kg
10	YFS-10/11	*150750	100	11	14.3	16	43	56	1.5
20	YFS-20/15	*150767	200	15	28.6	31	60	76	3.0
30	YFS-30/15	*150774	300	15	44.2	66	60	96	4.2
50	YFS-50/15	*150781	500	15	71.5	107	70	145	8.7
100	YFS-100/15	*150798	1000	15	143.0	215	91	170	16.0

Dimensions model YLS and model YFS

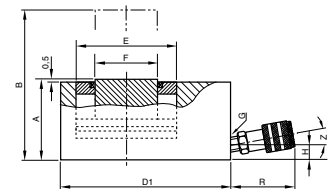
Model	YLS-10/35	YLS-20/45	YLS-30/60	YLS-50/60	YLS-100/55	YFS-10/11	YFS-20/15	YFS-30/15	YFS-50/15	YFS-100/15
A, mm	86	100	120	122	141	43	60	60	70	91
B, mm	121	145	180	182	196	54	75	75	85	106
D, mm	70	85	100	125	170	56	76	96	145	170
D1, mm	-	-	-	-	-	83	95	115	-	-
E, mm	43	60	75	95	135	43	60	75	95	135
F, mm	38	50	57	75	120	38	50	57	75	120
H, mm	16	17	19	19	26	16	19	19	19	22
M, mm	-	-	-	-	148	-	-	-	-	85
Q, mm	-	-	-	-	-	28	38	48	-	-
R, mm	54	54	54	54	54	54	54	54	54	54
S, mm	-	-	-	-	25	-	-	-	-	55
Z, °	10	10	5	5	-	10	5	5	5	-



YLS



YFS



Universal cylinder model YS

Single-acting with spring return, capacity 5 - 100 t

Robust construction with long guides allows the units to withstand abuse and better tolerate eccentric and side loading, yet is convenient to use with only one quick-release coupler hose connection and a spring return.

Universal cylinders are designed for all jobs where high forces but compact dimensions are required: e.g. straightening steel constructions, removing parts like shafts, axles, lifting, positioning, weighing, supporting, testing as well as for all general assembly and repair applications. Due to the various mounting threads the cylinders can easily be installed in clamping devices, welding fixtures, frame presses etc.

Features

- Yale ChroMo-Design.
- Operating pressure max. 700 bar.
- Single-acting with spring return.
- Robust design with long piston bearings to withstand eccentric loading.
- Cylinder body and piston are made from solid chromium-molybdenum steel and heat-treated.
- Hard-chromium plated piston with replaceable, heat-treated saddle.
- Metric mounting threads on cylinder collar, in the base and piston rod (5 to 30 t).
- Stop ring can bear full capacity (pressure) and is fitted with dirt wiper.
- Interchangeable hardened saddle.
- Dirt wiper protects against dirt.
- Oil port thread 3/8 NPT.
- Incl. female coupler half model CFY-1.
- Model YS-50/100 and YS-50/160 with carrying handle.
- Models YS-50/320 up to YS-100/200 with lifting rings.

**A selection chart "cylinder/hand pumps"
can be found on page 421-423!**



Technical data model YS

Cylinder size	Model	EAN-No. 4025092*	Capacity	Lift	Effective plunger area	Oil volume max.	Closed height	Cylinder outside diameter	Weight
t			kN	mm	cm ²	cm ³	mm	mm	kg
5	YS-5/15	*150002	50	15	7.2	11	45	41	0.9
5	YS-5/25	*150019	50	25	7.2	18	97	42	1.0
5	YS-5/75	*150026	50	75	7.2	53	157	42	1.5
5	YS-5/127	*150033	50	127	7.2	90	214	42	2.0
5	YS-5/180	*150040	50	180	7.2	127	267	42	2.4
10	YS-10/25	*150057	100	25	14.3	37	90	57	1.6
10	YS-10/50	*150064	100	50	14.3	73	125	57	2.1
10	YS-10/100	*150071	100	100	14.3	146	178	57	2.8
10	YS-10/150	*150088	100	150	14.3	218	250	57	4.1
10	YS-10/200	*150095	100	200	14.3	291	300	57	4.7
10	YS-10/250	*150101	100	250	14.3	363	352	57	5.5
10	YS-10/300	*150118	100	300	14.3	436	407	57	6.3
15	YS-15/25	*150125	150	25	21.5	53	110	67	2.7
15	YS-15/50	*150132	150	50	21.5	106	140	67	3.3
15	YS-15/100	*150149	150	100	21.5	213	190	67	4.3
15	YS-15/150	*150156	150	150	21.5	319	260	67	5.8
15	YS-15/200	*150163	150	200	21.5	425	310	67	7.0
15	YS-15/250	*150170	150	250	21.5	531	365	67	8.0
15	YS-15/300	*150187	150	300	21.5	637	420	67	9.0
15	YS-15/350	*150194	150	350	21.5	744	472	67	10.0
23	YS-23/25	*150200	230	25	32.9	83	116	85	5.0
23	YS-23/50	*150217	230	50	32.9	166	150	85	6.0
23	YS-23/100	*150224	230	100	32.9	332	202	85	7.5
23	YS-23/160	*150231	230	160	32.9	531	277	85	10.0
23	YS-23/210	*150248	230	210	32.9	697	330	85	12.0
23	YS-23/250	*150255	230	250	32.9	830	376	85	13.5
23	YS-23/300	*150262	230	300	32.9	996	428	85	15.0
23	YS-23/345	*150279	230	345	32.9	1145	477	85	16.5
30	YS-30/125	*150286	300	125	42.9	552	245	102	13.0
30	YS-30/200	*150293	300	200	42.9	884	325	102	17.0
50	YS-50/50	*150309	500	50	71.5	355	170	125	15.0
50	YS-50/100	*150316	500	100	71.5	709	220	125	19.0
50	YS-50/160	*150323	500	160	71.5	1135	285	125	24.0
50	YS-50/320	*150330	500	320	71.5	2269	460	125	37.0
70	YS-70/150	*150347	700	150	100.0	1478	285	146	32.0
70	YS-70/330	*150354	700	330	100.0	3252	490	146	52.0
100	YS-100/100	*150378	1000	100	143.0	1432	275	180	43.0
100	YS-100/200	*150361	1000	200	143.0	2863	375	180	64.0



Accessories for cylinders series YS like lifting claws, piston plates, extension tubes, support plates and threaded flanges are also available on request



Support plates are available as accessories



Threaded flanges are available as accessories

For accessories for cylinders series YS please see pages 366-368!

Univerzalne hydraulicke valce YS

Dimensions model YS

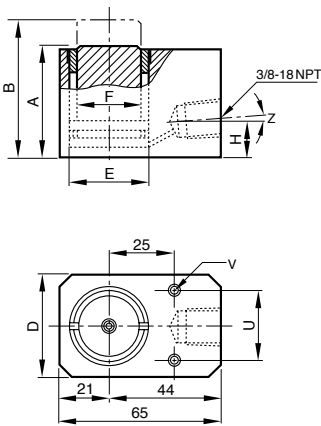
Model	YS-5/15	YS-5/25	YS-5/75	YS-5/127	YS-5/180	YS-10/25	YS-10/50	YS-10/100	YS-10/150	YS-10/200
A, mm	45	97	157	214	267	90	125	178	250	300
B, mm	60	122	232	341	447	115	175	278	400	500
C, mm	45	92	152	209	262	88	119	172	244	294
D, mm	41	42	42	42	42	57	57	57	57	57
E, mm	30	30	30	30	30	43	43	43	43	43
F, mm	25	26	26	26	26	38	38	38	38	38
H, mm	19	19	19	19	19	17	19	19	21	21
J, mm	-	25	25	25	25	-	35	35	35	35
K, mm	-	5	5	5	5	3	6	6	6	6
O, mm	-	M20x2	M20x2	M20x2	M20x2	-	M27x2	M27x2	M27x2	M27x2
P, mm	-	13	13	13	13	-	17	17	22	22
S, mm	-	-	-	-	-	-	-	-	-	-
U, mm	28.5	28	28	28	28	35	35	35	35	35
V, mm	2x5.5 Ø	2xM6	2xM6	2xM6	2xM6	2xM8	2xM8	2xM8	2xM8	2xM8
W, mm	-	23	23	23	23	27	27	27	27	27
X, mm	-	M42x1.5	M42x1.5	M42x1.5	M42x1.5	M57x1.5	M57x1.5	M57x1.5	M57x1.5	M57x1.5
Z, °	5	5	5	5	5	5	5	5	-	-

Model	YS-10/250	YS-10/300	YS-15/25	YS-15/50	YS-15/100	YS-15/150	YS-15/200	YS-15/250	YS-15/300	YS-15/350
A, mm	352	407	110	140	190	260	310	365	420	472
B, mm	602	707	135	190	290	410	510	615	720	822
C, mm	346	401	103	133	183	253	303	358	413	465
D, mm	57	57	67	67	67	67	67	67	67	67
E, mm	43	43	52	52	52	52	52	52	52	52
F, mm	38	38	46	46	46	46	46	46	46	46
H, mm	21	21	19	19	19	22	22	22	22	22
J, mm	35	35	40	40	40	40	40	40	40	40
K, mm	6	6	7	7	7	7	7	7	7	7
O, mm	M27x2	M27x2	M33x2	M33x2	M33x2	M33x2	M33x2	M33x2	M33x2	M33x2
P, mm	22	22	19	19	19	25	25	25	25	25
S, mm	-	-	-	-	-	-	-	-	-	-
U, mm	35	35	42	42	42	42	42	42	42	42
V, mm	2xM8	2xM8	2xM10	2xM10	2xM10	2xM10	2xM10	2xM10	2xM10	2xM10
W, mm	27	27	33	33	33	33	33	33	33	33
X, mm	M57x1.5	M57x1.5	M67x1.5	M67x1.5	M67x1.5	M67x1.5	M67x1.5	M67x1.5	M67x1.5	M67x1.5
Z, °	-	-	5	5	5	-	-	-	-	-

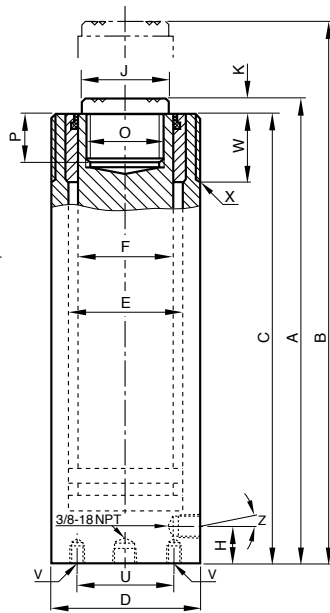
Model	YS-23/25	YS-23/50	YS-23/100	YS-23/160	YS-23/210	YS-23/250	YS-23/300	YS-23/345	YS-30/125	YS-30/200
A, mm	116	150	202	277	330	376	428	477	245	325
B, mm	141	200	302	437	540	626	728	822	370	525
C, mm	113	142	194	269	322	368	420	469	235	315
D, mm	85	85	85	85	85	85	85	85	102	102
E, mm	65	65	65	65	65	65	65	65	75	75
F, mm	56	56	56	56	56	56	56	56	65	65
H, mm	20	22	22	22	22	22	22	22	25	25
J, mm	50	50	50	50	50	50	50	50	50	50
K, mm	3	8	8	8	8	8	8	8	10	10
O, mm	M40x2	M40x2	M40x2	M40x2	M40x2	M40x2	M40x2	M40x2	M36x2	M36x2
P, mm	15	22	22	25	25	25	25	25	25	25
S, mm	-	-	-	-	-	-	-	-	-	-
U, mm	55	55	55	55	55	55	55	55	75	75
V, mm	4xM10	4xM10	4xM10	4xM10	4xM10	4xM10	4xM10	4xM10	4xM10	4xM10
W, mm	40	40	40	40	40	40	40	40	45	45
X, mm	M85x2	M85x2	M85x2	M85x2	M85x2	M85x2	M85x2	M85x2	M102x2	M102x2
Z, °	5	-	-	-	-	-	-	-	-	-

Dimensions model YS

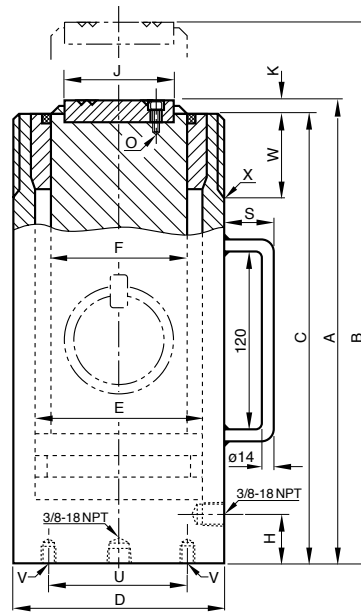
Model	YS-50/50	YS-50/100	YS-50/160	YS-50/320	YS-70/150	YS-70/330	YS-100/100	YS-100/200
A, mm	170	220	285	460	285	490	275	375
B, mm	220	320	445	780	435	820	375	575
C, mm	165	215	280	455	280	485	270	370
D, mm	125	125	125	125	146	146	180	180
E, mm	95	95	95	95	112	112	135	135
F, mm	85	85	85	85	95	95	115	115
H, mm	29	29	29	29	30	30	60	60
J, mm	70	70	70	70	80	80	100	100
K, mm	5	5	5	5	5	5	5	5
O, mm	4xM8	4xM8	4xM8	4xM8	4xM8	4xM8	4xM10	4xM10
P, mm	-	-	-	-	-	-	-	-
S, mm	-	51	51	24	24	24	24	24
U, mm	95	95	95	95	110	110	145	145
V, mm	4xM12	4xM12	4xM12	4xM12	4xM12	4xM12	4xM12	4xM12
W, mm	50	50	50	50	60	60	70	70
X, mm	M125x2	M125x2	M125x2	M125x2	M146x3	M146x3	M180x3	M180x3
Z, °	-	-	-	-	-	-	-	-



Model YS-5/15



Model YS-5/25 up to YS-30/200



Model YS-50/50 up to YS-100/200

! Subject to changes.