



-with digital display and radio control model TKR

The crane weigher can be operated by radio control. The displayed values can be taken off the remote control device and can be transferred to a PC. The system can be combined with an easy-to-read display. Several measured values can be totalled and saved.

Features

- TKR crane weigher has the same features like the model TKL plus:
- Remote control and data exchange via radio transmission.
- USB interface
- Accumulation memory

Options

- External easy-to-read display.

Scope of delivery

- Crane weigher
- Remote control with display
- 7 x 1.5V AA batteries
- Carrying case
- Test certificate
- PC cable
- User software



Crane weighers

Measuring range 0 - 12 t

The crane weighers TKL and TKR are compact measuring devices for the weighing of loads. Use appropriate attachments like grade 8 forgings between the hook of the hoist or crane, the crane weigher and the load.

The crane weighers have a liquid crystal display (LCD), which can tare as well as show either the gross or the net load. It also indicates overload at 110% of the rated capacity and the status of the battery.

- with digital display model TKL

Features

- High accuracy
- Lightweight design
- Easy-to-read display
- Easy to use
- Robust design
- Housing can be rotated 180°
- Retains the peak value to memory.
- The battery capacity provides for around 200 operating hours.
- Automatic setting to zero when load indicator is switched on.
- Use of rechargeable batteries possible (external battery charger*).
- Display of maximum weight (gross/net).
- Display of measuring units at the load indicator.
- Measuring units kg, t, lbs, to, kN.
- Automatic stand-by for a prolonged battery lifetime.
- Simple change of batteries
- Warning if batteries are low.
- Overload warning

Scope of delivery

- Crane weigher
- 4 x 1.5V AA batteries
- Test certificate

* not part of the delivery package.

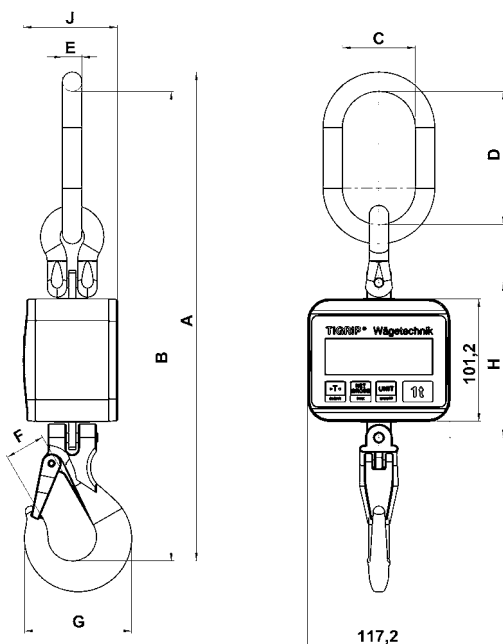
Technical data model TKL and model TKR

| Model | TKL 1,0 TKR 1,0 | TKL 2,0 TKR 2,0 | TKL 3,2 TKR 3,2 | TKL 5,0 TKR 5,0 | TKL 8,0 TKR 8,0 | TKL 12,0 TKR 12,0 |
|--|--|--------------------|--------------------|--------------------|--------------------|----------------------|
| EAN-No. model TKL 4025092* | *382878 | *382922 | *382984 | *383059 | *383073 | *383097 |
| EAN-No. model TKR 4025092* | *382915 | *382946 | *382779 | *383066 | *383080 | *383103 |
| Measuring range, t | 0 - 1.0 | 0 - 2.0 | 0 - 3.2 | 0 - 5.0 | 0 - 8.0 | 0 - 12.0 |
| Nominal load, t | 1.0 | 2.0 | 3.2 | 5.0 | 8.0 | 12.0 |
| Limit load, t | 1.1 | 2.2 | 3.5 | 5.5 | 8.8 | 13.2 |
| Breaking load, t | ≥4.0 | ≥8.0 | ≥13.0 | ≥20.0 | ≥32.0 | ≥48.0 |
| Weight without lifting accessories, kg | 1.85 | 1.99 | 2.5 | 2.7 | 3.6 | 3.9 |
| Weight with lifting accessories, kg | 3.0 | 3.5 | 6.0 | 7.5 | 10.5 | 20.0 |
| Accuracy of the end value | 0.1% | 0.1% | 0.1% | 0.1% | 0.1% | 0.1% |
| Resolution step, kg (partition) | 0.5 | 1.0 | 1.0 | 1.0 | 2.0 | 5.0 |
| Operation time, approx., h* | 200 | | | | | |
| Temperature range (operation) | -10° C up to +50° C | | | | | |
| Temperature range (storage) | -20° C up to +70° C | | | | | |
| Protection | IP 54 | | | | | |
| Display (LCD 20.5 mm high) | 4½ digits | | | | | |
| Tare range | 100% of rated capacity | | | | | |
| Overload warning | Overload warning at 110% of the rated capacity | | | | | |

*with 4x 1.5V AA batteries

Dimensions model TKL and model TKR

| Model | TKL 1,0 TKR 1,0 | TKL 2,0 TKR 2,0 | TKL 3,2 TKR 3,2 | TKL 5,0 TKR 5,0 | TKL 8,0 TKR 8,0 | TKL 12,0 TKR 12,0 |
|-------|--------------------|--------------------|--------------------|--------------------|--------------------|----------------------|
| A, mm | 389 | 417 | 488 | 571 | 657 | 804 |
| B, mm | 356 | 379 | 441 | 514 | 588 | 709 |
| C, mm | 60 | 60 | 75 | 90 | 100 | 140 |
| D, mm | 110 | 110 | 135 | 160 | 180 | 260 |
| E, mm | 13 | 16 | 18 | 22 | 26 | 35 |
| F, mm | 20 | 25 | 32 | 40 | 49 | 45 |
| G, mm | 70 | 81 | 103 | 126 | 152 | 190 |
| H, mm | 128 | 136 | 140 | 148 | 158 | 176 |
| J, mm | 77.4 | 77.4 | 84.4 | 84.4 | 97.4 | 97.4 |





-with digital display and radio control model TZR

The load indicator can be operated via radio control. The displayed values can be taken off the remote control device and can be transmitted to a PC. The system can be combined with an easy-to-read display. Several measured values can be totalled and saved.

Features

- TZR load indicator has the same features like the model TZL plus:
- Remote control and data exchange via radio transmission.
- USB interface
- Accumulation memory

Options

- External easy-to-read display.

Scope of delivery

- Load indicator
- Remote control with display
- 7 x 1.5V AA batteries
- Test certificate
- Without shackles and hooks
- PC cable
- User software



Load indicator

Measuring range 0 - 100 t

The Tigrip® load indicator is a mechanical measuring instrument with electronic display. On account of its flexibility the Tigrip® load indicator has universal applications. Whether used as a conventional crane weigher or to measure forces, it is the economical choice for various applications. It can be used in conjunction with shackles and hooks.

The load indicator is provided with liquid crystal display (LCD), which can tare as well as show either the gross or the net load. It also indicates overload at 110% of the rated capacity and the status of the battery.

- with digital display model TZL

Features

- High accuracy
- Lightweight design
- Easy-to-read display
- Easy to use
- Robust design
- Retains the peak value to memory.
- The battery capacity provides for around 200 operating hours.
- Automatic setting to zero when load indicator is switched on.
- Use of rechargeable batteries possible (external battery charger*).
- Display of maximum weight (gross/net).
- Display of measuring units at the load indicator.
- Measuring units kg, t, lbs, to, kN.
- Automatic stand-by for a prolonged battery lifetime.
- Simple change of batteries
- Warning if batteries are low.
- Overload warning

Scope of delivery

- Load indicator
- 4 x 1.5V AA batteries
- Test certificate
- Without shackles and hooks

* not part of the delivery package.

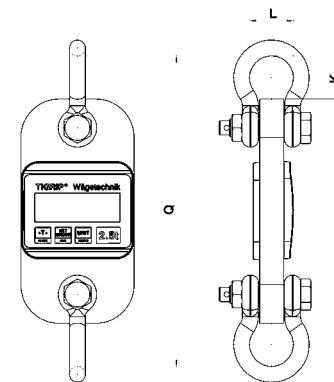
Technical data model TZL and model TZR

| Model | TZL 1,0 TZR 1,0 | TZL 2,5 TZR 2,5 | TZL 5,0 TZR 5,0 | TZL 10,0 TZR 10,0 | TZL 20,0 TZR 20,0 | - TZR 35,0 | - TZR 50,0 | - TZR 100,0 |
|--|--|--------------------|--------------------|----------------------|----------------------|---------------|---------------|----------------|
| EAN-No. model TZL 4025092* | *262217 | *262224 | *262231 | *256995 | *262347 | - | - | - |
| EAN-No. model TZL shackles 4025092* | *453509 | *453653 | *453660 | *453714 | *453714 | - | - | - |
| EAN-No. model TZL hooks 4025092* | *270342 | *557665 | *557689 | *551311 | *551007 | - | - | - |
| EAN-No. model TZR 4025092* | *262798 | *266222 | *272964 | *257008 | *272971 | *455176 | *455183 | *455206 |
| EAN-No. model TZR shackles 4025092* | *453509 | *453653 | *453660 | *453714 | *453714 | *453738 | *453745 | *456746 |
| EAN-No. model TZR hooks 4025092* | *270342 | *557665 | *557689 | *551311 | *551007 | *552226 | *555050 | *558785 |
| Measuring range, t | 0 - 1.0 | 0 - 2.5 | 0 - 5.0 | 0 - 10.0 | 0 - 20.0 | 0 - 35.0 | 0 - 50.0 | 0 - 100.0 |
| Nominal load, t | 1.0 | 2.5 | 5.0 | 10.0 | 20.0 | 35.0 | 50.0 | 100.0 |
| Limit load, t | 1.1 | 2.75 | 5.5 | 11 | 22 | 38.5 | 55 | 110 |
| Breaking load, t | ≥ 4 | ≥ 10 | ≥ 20 | ≥ 40 | ≥ 80 | ≥ 140 | ≥ 200 | ≥ 400 |
| Weight without lifting accessories, kg | 1.1 | 1.7 | 2.1 | 3.9 | 6.8 | 9.4 | 14.4 | 39.3 |
| Accuracy of the end value | 0.2% | 0.2% | 0.2% | 0.2% | 0.2% | 0.2% | 0.2% | 0.2% |
| Resolution step, kg (partition) | 1 | 1 | 1 | 10 | 10 | 10 | 10 | 50 |
| Operation time approx., h* | 200 | | | | | | | |
| Temperature range (operation) | -10° C up to +50° C | | | | | | | |
| Temperature range (storage) | -20° C up to +70° C | | | | | | | |
| Protection | IP 54 | | | | | | | |
| Display (LCD 20.5 mm high) | 4 ½ digits | | | | | | | |
| Tare range | 100% of rated capacity | | | | | | | |
| Overload warning | Overload warning at 110% of the rated capacity | | | | | | | |

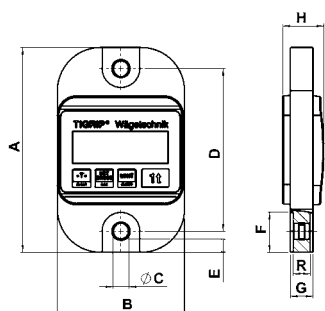
*with 4x 1.5V AA batteries

Dimensions model TZL and model TZR

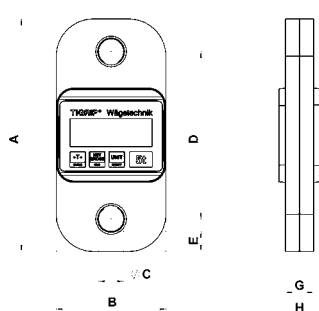
| Model | TZL 1,0 TZR 1,0 | TZL 2,5 TZR 2,5 | TZL 5,0 TZR 5,0 | TZL 10,0 TZR 10,0 | TZL 20,0 TZR 20,0 | - TZR 35,0 | - TZR 50,0 | - TZR 100,0 |
|-------|--------------------|--------------------|--------------------|----------------------|----------------------|---------------|---------------|----------------|
| A, mm | 190 | 233 | 250 | 325 | 378 | 405 | 450 | 640 |
| B, mm | 118 | 118 | 118 | 118 | 141 | 156 | 180 | 260 |
| C, mm | 14 | 22 | 27 | 48 | 55 | 66 | 76 | 100 |
| D, mm | 151 | 173 | 180 | 213 | 233 | 245 | 264 | 380 |
| E, mm | 12.5 | 19 | 21.5 | 22 | 32 | 47 | 55 | 80 |
| F, mm | 37 | - | - | - | - | - | - | - |
| G, mm | 21 | 25 | 30.5 | 47 | 57 | 67 | 77 | 99 |
| H, mm | 38.4 | 42.2 | 45.1 | 64.4 | 74.2 | 84.2 | 94.2 | 113 |
| J, mm | 348 | 604 | 610 | 690 | 780 | 1000 | 1170 | - |
| K, mm | 30 | 34 | 50 | 105 | 92 | 130 | 140 | 300 |
| L, mm | 26 | 38 | 44 | 95 | 95 | 114 | 132 | 238 |
| M, mm | 10 | 16 | 19 | 35 | 35 | 44 | 51 | 89 |
| N, mm | 25 | 25 | 32 | 50 | 70 | 110 | 115 | - |
| O, mm | 23 | 23 | 37 | 63 | 80 | 123 | 132 | - |
| P, mm | 17 | 17 | 28 | 44 | 57 | 90 | 97 | - |
| Q, mm | 235 | 309 | 315 | 535 | 562 | 665 | 730 | 1240 |
| R, mm | 16 | - | - | - | - | - | - | - |



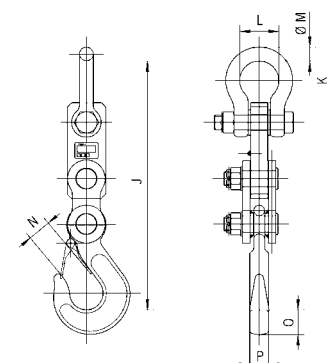
Load indicator model TZL/TZR with shackle



Load indicator model TZL/TZR 1,0 t



Load indicator model TZL/TZR 2,5 up to 100,0 t



Load indicator model TZL/TZR with hook