

Cable puller model Yaletrac

Pulling force 800 - 3200 daN

It has a light weight, compact, high tensile aluminium alloy housing with a large flat bottom surface for increased stability in horizontal as well as vertical working position.

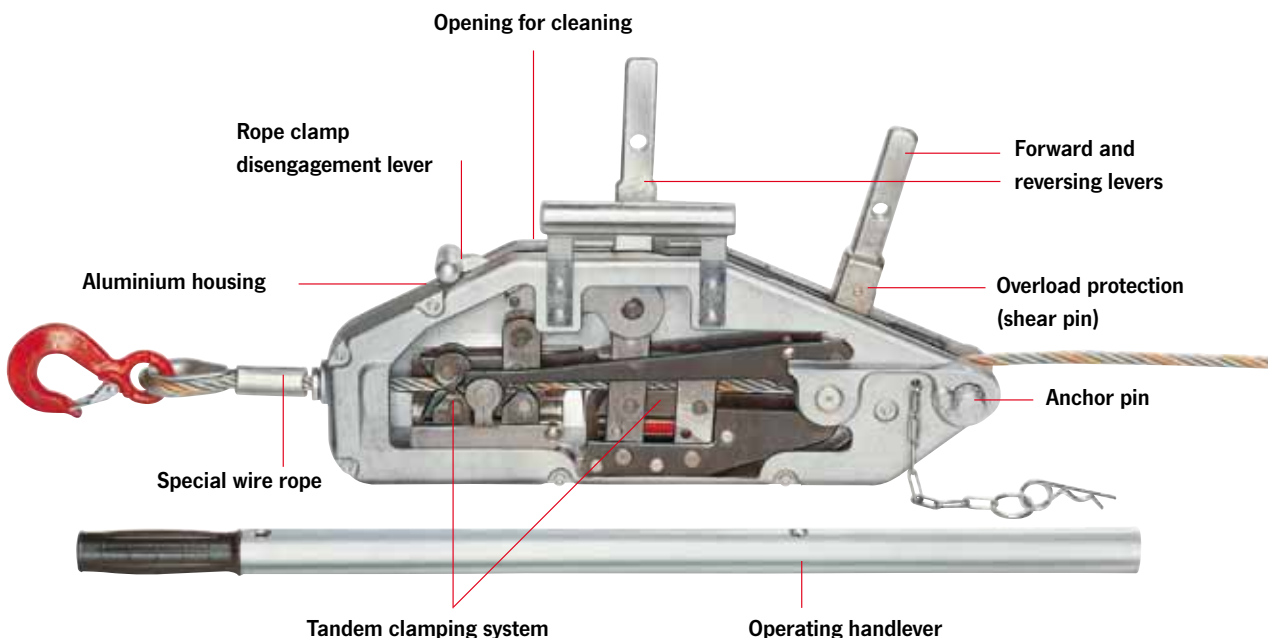
Features

- Forward and reversing levers in tandem provide slim design and assure power transfer along the centre line.
- Overload protection is by a shearing pin in the forward lever. Spare shear pins are conveniently located in the carrying handle or operating lever. A broken pin can be replaced without removing the load.
- A lever disengages the rope clamp system allowing easy, smooth installation of the rope.
- Yaletrac uses a special flexible rope. It has six strands with a steel core and is identified by an orange strand. The rope is tapered at one end for easy threading and fitted with an eye sling hook with safety latch on the other end.
- The parallel arrangement of the clamping system protects the rope by distributing the clamping forces evenly. A long rope advance per each lever stroke increases the working speed.
- The large opening in the top of the unit allows easy cleaning: simply flush the unit with water, apply motor oil for lubrication and the Yaletrac is again ready for use.

Options

- Eye sling hook with safety latch
- Longer ropes
- Drum reel
- Storage box

! Yale hoists and trolleys are not designed for passenger elevation applications and must not be used for this purpose.

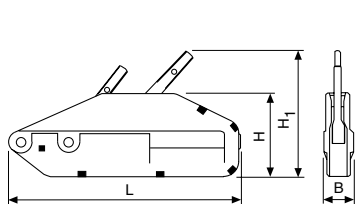


Technical data model Yaletrac

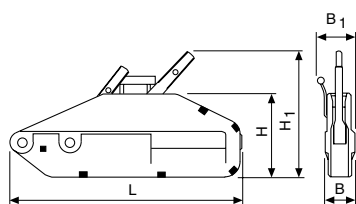
Model	EAN-No. 4025092*	Capacity WLL kg	Rope advance per double stroke in mm	Lever pull at WLL daN	Lever length mm	Rope diameter mm	Weight without rope kg	Rope weight kg/m
Y 08	*051811	800	60	24	800	8.4	7	0.29
Y 16	*051828	1600	60	30	790/1190	11.5	14	0.53
Y 32	*078870	3200	40	50	790/1190	16	21	1

Dimensions model Yaletrac

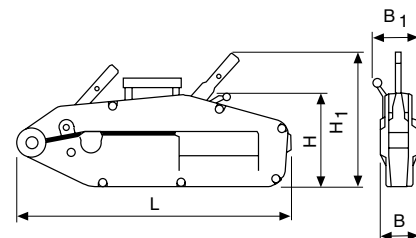
Model	Y 08	Y 16	Y 32
L, mm	430	545	680
H, mm	168	190	230
H1, mm	240	270	330
B, mm	60	72	91
B1, mm	-	97	110



Model Y 08



Model Y 16



Model Y 32



Option:
Yaletrac storage box made from steel plate,
approx. 74x26x45 cm



Option:
Eye sling hook with safety latch

Complementary products available like cable grips (see page 97), pulley blocks (see page 96) and textile slings (see pages 236-238).



Cable puller model LP

Capacity 500 kg

A practical aid for pulling, lifting, tensioning and lowering in many applications in- and outdoors.

A compact, handy tool – ideal for service and assembly, for workshops and recreation.

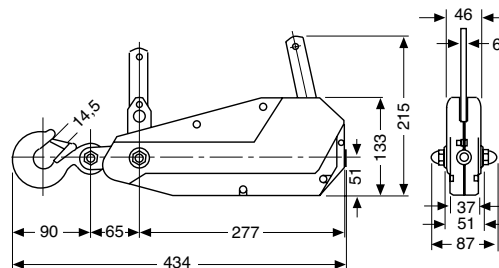
Features

- The stamped steel housing is lightweight and resistant.
- The complete set comprises of a cable puller with anchor bolt and eye sling hook, telescopic operating lever, 10 metres of wire rope, carrying handle and a webbing sling of 1 metre length which can be used as a rigging point.

Technical data model LP

Model	EAN-No. 4025092*	Capacity WLL kg	Rope advance per double stroke mm	Lever pull at WLL daN	Lever length mm	Rope diameter mm	Weight without rope and lever kg
LP 500	*051804	500	35	15	600	8.3	4

! Yale hoists and trolleys are not designed for passenger elevation applications and must not be used for this purpose.



Cable puller model LM

Pulling force 500 - 1800 daN

The use of aluminium alloy castings provide a light-weight, corrosion resistant unit for pulling and tensioning applications. The double interlocking pawl system ensures safe function, all load bearing shafts are mounted on prelubricated bearings to reduce wear.

Features

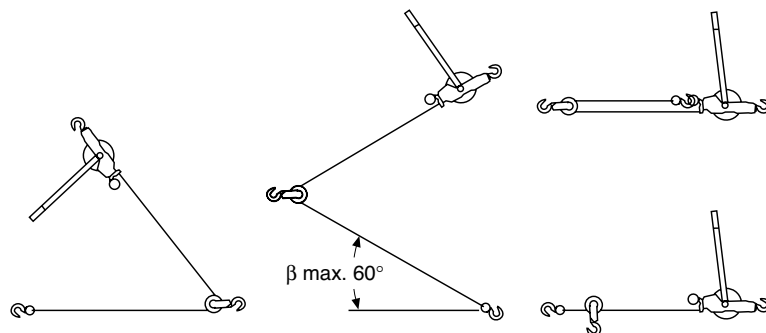
- All springs and shafts are manufactured from stainless steel. The lifting medium is a non-twisting, galvanized, special steel wire rope.
- The hooks are fitted with safety latches and are free to rotate 360°.
- The cable puller LM can be used in single or double legged configuration. In double legged configuration the pulling force is doubled and the lifting height is halved.



! Yale hoists and trolleys are not designed for passenger elevation applications and must not be used for this purpose.

Technical data model LM

Model	EAN-No. 4025092*	1 legged design pulling force daN	1 legged design hook path m	1 legged design headroom mm	2 legged design pulling force daN	2 legged design hook path m	2 legged design headroom mm	Weight kg	Lever length mm	Hook opening mm	Rope diameter mm
115 DV-B	*077293	500	4.6	550	1000	2.3	700	4.5	420	22	4.8
202 WN-VB	*077309	500	6.0	525	1000	3.0	690	5.2	520	22	4.8
434 WN-VB	*077316	500	9.0	550	1000	4.5	710	5.8	530	22	4.8
S 434 WN-VB	*077491	700	6.0	565	1400	3.0	725	6.0	530	22	5.6
S 404 WN-VB	*077323	900	5.2	575	1800	2.6	720	5.9	635	22	6.4



Rigging configurations - Attention! reduced capacity

! The units may only be used for pulling and tensioning. Lifting and lowering of loads is not permitted.

Cable grip model LMG

Pulling force 2000 - 5000 daN

The LITTLE MULE® cable grip is a device for gripping, pulling and tensioning uncoated wire ropes, cables and metal rods in all forms up to a tensile strength of 1770 N/mm² but is dependant on the diameter and surface condition.

The parallel jaws provide a firm, non-slip grip without causing damage to the wire rope. A special spring-loaded guide prevents the grip from dropping off the wire rope and allows instant release without jamming.

The model LMG II-X is supplied with grooved jaws and is suitable for wire ropes with a tensile strength of up to 1960 N/mm², but is dependant on the rope diameter and surface condition.



Technical data model LMG

Model	EAN-No. 4025092*	Pulling force daN	For rope diameter mm	Eye opening mm	Weight kg
LMG I	*052214	2000	5 - 15	31x44	1.6
LMG II	*052221	3000	8 - 20	31x44	2.9
LMG II-X	*052245	3000	8 - 20	31x44	2.9
LMG III	*052238	5000	18 - 32	66x93	9.5

! Yale hoists and trolleys are not designed for passenger elevation applications and must not be used for this purpose.



Pulley blocks, hinged, with single steel sheave

Capacity 1000 - 6400 kg

One side of the Yale pulley blocks is hinged and can be opened for easy and quick positioning of the wire rope on the sheave. It can also provide a quick and versatile rigging point or redirect a wire rope.

Features

- Swinging the hook in the direction of pull securely locks the pulley block.
- The high quality cast steel sheaves have machined grooves and are fitted with Permaglide® bushes.
- When choosing and classifying pulley blocks, take the "Principles for Rope Drives" DIN 15020 into consideration.

! Yale hoists and trolleys are not designed for passenger elevation applications and must not be used for this purpose.

Technical data pulley blocks

Model	EAN-No. 4025092*	Capacity kg	Rope diameter mm	Weight kg
Pulley blocks 1000	*455817	1000	7	3.3
Pulley blocks 2000	*455794	2000	13	8.9
Pulley blocks 3200	*455800	3200	15	15.5
Pulley blocks 6400	*455824	6400	18	26.5

Dimensions pulley blocks

Model	Pulley blocks 1000	Pulley blocks 2000	Pulley blocks 3200	Pulley blocks 6400
B, mm	118	199	230	270
B1, mm	76	92	108	116
B2, mm	17	24	28	35
C, mm	23	27	31	42
Ø D1, mm	85	150	180	210
Ø D2, mm	105	190	220	260
L, mm	305	425	496	655
L1, mm	200	263	295	375
L2, mm	23	30	40	47
R, mm	4	7	9	10

