

## Ratchet lever hoist model Yalehandy

Capacity 250 - 500 kg

The extreme low tare weight and the very compact design make the hoist easy to use even in confined working conditions. Due to the multitude of application possibilities e.g. in industry, trade and service this ratchet lever hoist is indispensable.

### Features

- The enclosed design protects the internal parts from contamination.
- The short handle lever is fitted with an ergonomic rubber grip.
- All parts of the disc type load brake are manufactured from high quality materials and are corrosion protected.
- Standard free chaining device to quickly attach the load or to pull the chain through the hoist in both directions.
- Alloyed steel link chain with zinc-plated resp. yellow chromated finish, in accordance with national and international standards and regulations.
- Drop forged suspension and load hooks are made from non-aging, high tensile steel and fitted with robust safety latches.



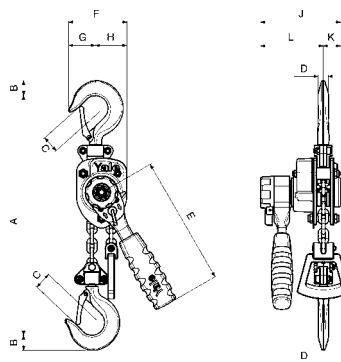
**!** Yale hoists and trolleys are not designed for passenger elevation applications and must not be used for this purpose.

### Technical data model Yalehandy

Model	EAN-No. 4025092*	Capacity  kg	Number of chain falls	Chain dimensions d x p mm	Lift with one full lever turn mm	Handle pull at WLL daN	Weight at standard lift (1.5 m) kg
Yalehandy 250	*075039	250	1	4x12	80	25	2.2
Yalehandy 500	*077675	500	1	4x12	40	25	2.8

### Dimensions model Yalehandy

Model	Yalehandy 250	Yalehandy 500
A min., mm	240	282
B, mm	20	17
C, mm	21	24
D, mm	14	12
E, mm	160	160
F, mm	72	104
G, mm	33	38
H, mm	39	66
J, mm	98	116
K, mm	21	36
L, mm	77	80





All ratchet lever hoists with a capacity exceeding 750 kg can be used for load attachment according to EN 12195.



Protection classification

Ex I M2,

Ex II 2 GD c IIB T4 T 120° C X

## Ratchet lever hoist model UNOplus

Capacity 750 - 6000 kg

Further technical development turns the ratchet lever hoist into the successor of our proven UNO model.

The versatile tool for lifting, pulling and securing of loads is characterised by its compact design and robust stamped steel construction.

### Features

- Due to optimized gearing and improved bearings in the housing cover a minimum effort is required to operate the short hand lever.
- Steel hand wheel as standard.
- Automatic screw-and-disc type load brake with corrosion protected components.
- Standard free chaining device to quickly attach the load or to pull the chain through the hoist in both directions.
- Robust chain guide rollers eliminate fouling and jamming of chain on the load sheave.
- Sturdy bottom block with encapsulated bolt connections
- Alloyed steel link chain with zinc-plated resp. yellow chromated finish, in accordance with national and international standards and regulations.
- Drop forged suspension and load hooks are made from non-aging, high tensile steel and fitted with robust safety latches.

### Option

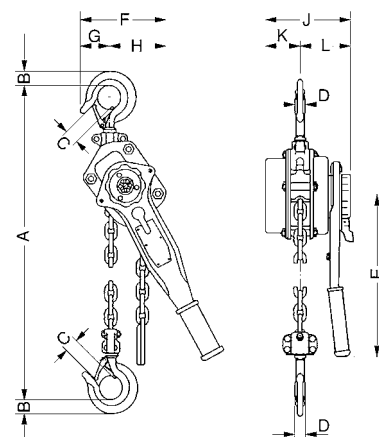
- Stainless steel load chains.

## Technical data model UNOplus

Model	EAN-No. 4025092*	Capacity kg	Number of chain falls	Chain dimensions d x p mm	Lift with one full lever turn mm	Handle pull at WLL daN	Weight at standard lift (1.5 m) kg
UNOplus 750	*168342	750	1	6x18	20	20	7.2
UNOplus 1500	*168359	1500	1	8x24	22	35	12.5
UNOplus 3000	*168366	3000	1	10x30	17	40	21.5
UNOplus 6000	*168380	6000	2	10x30	9	40	32.0

## Dimensions model UNOplus

Model	UNOplus 750	UNOplus 1500	UNOplus 3000	UNOplus 6000
A min., mm	340	410	510	690
B, mm	22	28	36	45
C, mm	26	32	40	44
D, mm	16	21	27	33
E, mm	250	330	380	380
F, mm	150	170	220	220
G, mm	70	80	100	100
H, mm	80	90	120	120
J, mm	150	180	210	210
K, mm	60	80	90	90
L, mm	90	100	120	120



## Ratchet lever hoist model PT

### Capacity 800 - 6300 kg

Ratchet lever hoists model PT features improved techniques and ergonomical styling. The advantages of the predecessor range have been maintained and further optimized.

A good, versatile, all round ratchet lever hoist for demanding conditions.

### Features

- The proven stamped steel housing provides extremely low weight without limiting the reliability and sturdiness of the unit.
- The short handlever is fitted with an ergonomic rubber grip.
- Standard free chaining device to quickly attach the load or to pull the chain through the hoist in both directions.
- Alloyed steel link chain with zinc-plated resp. yellow chromated finish, in accordance with national and international standards and regulations.
- Drop forged suspension and load hooks are made from non-aging, high tensile steel and fitted with robust safety latches.

### Options

- All models can be equipped with an overload prevention device in the form of a slip clutch which is factory preset to approx. 25% ± 15% overload.



Option:  
Overload prevention device

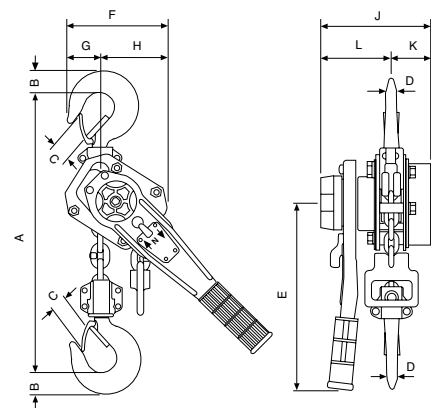
**All ratchet lever hoists with a capacity exceeding 750 kg can be used for load attachment according to EN 12195.**

### Technical data model PT

Model	EAN-No. 4025092*	Capacity	Number of chain falls	Chain dimensions d x p mm	Lift with one full lever turn mm	Handle pull at WLL daN	Weight at standard lift (1.5 m) kg
		kg					
PT 800	*076463	800	1	5.6x17.1	24	26	5.5
PT 1600	*076470	1600	1	7.1x21.2	23	30	9.6
PT 3200	*076487	3200	1	9x27.2	16	38	16.0
PT 6300	*076494	6300	2	9x27.2	8	39	31.0

### Dimensions model PT

Model	PT 800	PT 1600	PT 3200	PT 6300
A min., mm	290	330	430	580
B, mm	21	27	36	53
C, mm	24	31	35	46
D, mm	13	20	24	43
E, mm	235	370	370	370
F, mm	120	138	177	259
G, mm	38	41	53	85
H, mm	82	97	124	174
J, mm	142	163	185	185
K, mm	52	65	83	83
L, mm	90	98	102	102





## Ratchet lever hoist with link chain model D95

Capacity 1500 - 3000 kg

The D95 in its cast malleable iron design has taken key technical features from the proven D85 but excels due to low tare weight and an extremely small measurement between suspension and load hooks. A versatile unit for moving, positioning and securing loads.

### Features

- Enclosed housing with housing cover, handlever and bottom block made from high tensile malleable cast iron for overall rugged construction.
- The short handlever is fitted with an ergonomic rubber grip.
- It has an automatically acting load pressure brake which works on the self-locking principal. For example, when used to secure loads an unintentional loosening of the brake is prevented when the load vibrates.
- Standard free chaining device to quickly attach the load or to pull the chain through the hoist in both directions.
- Alloyed steel link chain with zinc-plated resp. yellow chromated finish, in accordance with national and international standards and regulations.

### Options

- All models can be equipped with an overload prevention device in the form of a slip clutch which is factory preset to approx. 25% ± 15% overload.
- Hoist with sling chain.

- ! This ratchet lever hoist is suitable for cargo tie down applications, since it has an automatic screw-and-disc type load brake preventing an unintentional loosening of the load.



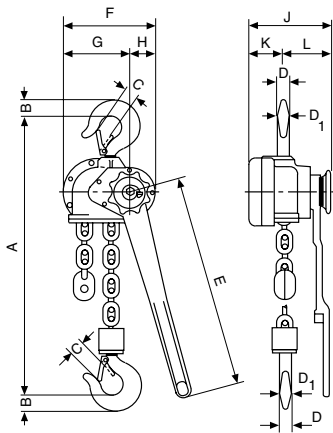
Hoist with sling chain

**Technical data model D95**

Model	EAN-No. 4025092*	Capacity  kg	Number of chain falls	Chain dimensions d x p mm	Lift with one full lever turn mm	Handle pull at WLL  daN	Weight at standard lift (1.5 m) kg
PUL-LIFT D95 1500	*050807	1500	1	6.2x18.5	35	27	9.9
PUL-LIFT D95 3000	*050821	3000	1	9x27.2	38	49	16.5

**Dimensions model D95**

Model	PUL-LIFT D95 1500	PUL-LIFT D95 3000
A min., mm	314	376
B, mm	23	30
C, mm	23	25
D, mm	18	22
D1, mm	18	22
E, mm	315	443
F, mm	156	189
G, mm	112	134
H, mm	44	55
J, mm	141	177
K, mm	49.5	72
L, mm	92	105



**!** Yale hoists and trolleys are not designed for passenger elevation applications and must not be used for this purpose.



## Ratchet lever hoist with roller chain model C 85

Capacity 750 - 10000 kg

## Ratchet lever hoist with link chain model D 85

Capacity 750 - 10000 kg

Almost unlimited applications in maintenance, mining, construction, steel fabrication, shipbuilding and utility work. Ideal for moving and positioning heavy machines and securing heavy loads, simplifies setting pipes etc. in manholes and trenches.

### Features

- Enclosed housing with housing cover, handlever and bottom block made from high tensile white malleable cast iron for overall rugged construction.
- The graphite cast iron load sheave for the link chain has precision machined chain pockets for accurate fit and durability of the load chain.
- The roller chain sprocket is made from heat treated chromium-molybdenum steel with precision machined teeth to ensure smooth chain movement.
- Alloyed steel link chain with zinc-plated resp. yellow chromated finish, in accordance with national and international standards and regulations.

### Options

- All models can be equipped with an overload prevention device in the form of a slip clutch which is factory preset to approx. 25% ± 15% overload.
- Free chaining device to quickly attach the load or to pull the chain through the hoist in both directions.
- Hoist with sling chain.

Since 1936 more than 1 million units  
have been built in Velbert.



Option:  
Overload protection for  
D95 and C/D85.

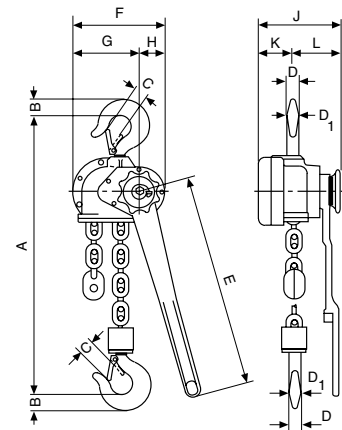
This ratchet lever hoist is suitable for cargo tie down applications, since it has an automatic screw-and-disc type load brake preventing an unintentional loosening of the load.

## Technical data model C 85

Model	EAN-No. 4025092*	Capacity kg	Number of chain falls	Chain dimensions d x p Inch	Lift with one full lever turn mm	Handle pull at WLL daN	Weight at standard lift (1.5 m) kg
PUL-LIFT C 85 750	*050173	750	1	5/8" x 3/8"	115	38	8.7
PUL-LIFT C 85 1500	*050180	1500	1	1" x 1/2"	45	31	17.0
PUL-LIFT C 85 3000	*050197	3000	1	1 1/4" x 5/8"	36	40	22.2
PUL-LIFT C 85 6000	*050203	6000	2	1 1/4" x 5/8"	18	44	38.0
PUL-LIFT C 85 10000	*050326	10000	3	1 1/4" x 5/8"	12	44	67.0

## Dimensions model C 85

Model	PUL-LIFT C 85 750	PUL-LIFT C 85 1500	PUL-LIFT C 85 3000	PUL-LIFT C 85 6000	PUL-LIFT C 85 10000
A min., mm	322	389	403	560	785
B, mm	21	27	35	48	61
C, mm	27	30	34	46	54
D, mm	15	20	25	40	40
D1, mm	17	23	25	40	45
E, mm	443	443	570	570	570
F, mm	112	189	197	197	305
G, mm	56	134	142	142	163
H, mm	56	55	55	55	142
J, mm	142	171	179	218	218
K, mm	39	72	76	76	76
L, mm	103	99	103	142	142



## Technical data model D 85

Model	EAN-No. 4025092*	Capacity kg	Number of chain falls	Chain dimensions d x p mm	Lift with one full lever turn mm	Handle pull at WLL daN	Weight at standard lift (1.5 m) kg
PUL-LIFT D 85 750	*050548	750	1	6 x 18.5	111	38	8.2
PUL-LIFT D 85 1500	*050555	1500	1	9 x 27	45	31	16.3
PUL-LIFT D 85 3000	*050562	3000	1	11 x 31	33	40	19.6
PUL-LIFT D 85 6000	*050579	6000	2	11 x 31	17	42	32.9
PUL-LIFT D 85 10000	*050784	10000	3	11 x 31	11	37	60.0

## Dimensions model D 85

Model	PUL-LIFT D 85 750	PUL-LIFT D 85 1500	PUL-LIFT D 85 3000	PUL-LIFT D 85 6000	PUL-LIFT D 85 10000
A min., mm	322	389	403	532	805
B, mm	21	27	35	48	61
C, mm	27	30	34	46	54
D, mm	15	20	25	40	40
D1, mm	17	23	25	40	45
E, mm	443	443	570	570	570
F, mm	112	189	197	197	305
G, mm	56	134	142	142	163
H, mm	56	55	55	55	142
J, mm	142	171	179	218	218
K, mm	39	72	76	76	76
L, mm	103	99	103	142	142

**Yale hoists and trolleys are not designed for passenger elevation applications and must not be used for this purpose.**



All ratchet lever hoists with a capacity exceeding 750 kg can be used for load attachment according to EN 12195.



## Ratchet lever hoist model AL

### Capacity 750 - 3000 kg

Its low tare weight is an advantage. When the hoist has to be frequently carried over longer distances to different assignments. This universal ratchet hoist should not be missing in any service truck.

### Features

- The enclosed housing, hand lever and hand wheel are made from high quality aluminium.
- Low effort on hand lever.
- Due to precise needle bearings the hoist can be operated with little effort.
- Standard free chaining device to quickly attach the load or to pull the chain through the hoist in both directions.
- The chain guide is cast into the body to ensure faultless chain movement.
- Alloyed steel link chain with zinc-plated resp. yellow chromated finish, in accordance with national and international standards and regulations.

### Option

- Stainless steel load chains.

Yale hoists and trolleys are not designed for passenger elevation applications and must not be used for this purpose.

## Technical data model AL

Model	EAN-No. 4025092*	Capacity kg	Number of chain falls	Chain dimensions d x p mm	Lift with one full lever turn mm	Handle pull at WLL daN	Weight at standard lift (1.5 m) kg
AL 750	*051194	750	1	6.3x19.1	30	16	6.4
AL 1000	*051200	1000	1	6.3x19.1	30	22	6.6
AL 1500	*051217	1500	1	7.1x21.2	16	18	10.0
AL 3000	*051224	3000	1	10x30.2	14	28	18.0

## Dimensions model AL

Model	AL 750	AL 1000	AL 1500	AL 3000
A min., mm	315	325	380	455
B, mm	20	23	27	36
C, mm	22	23	26	33
D, mm	14	16	20	24
E, mm	300	300	300	400
F, mm	106	109	138	168
G, mm	47	47	60	75
H, mm	59	62	78	93
J, mm	154	154	177	212
K, mm	49	49	74	94
L, mm	105	105	103	118

