



Rail jack acc. to DIN 7355 model RSJ

High stability on uneven ground is ensured by the extra large floor plate (e.g. gravel).



Steel jack acc. to DIN 7355 model SJ

Capacity 1500 - 10000 kg

Mechanical steel jacks can basically be used to lift almost all kinds of loads in maintenance and repair, ship building, construction as well as agriculture.

Features

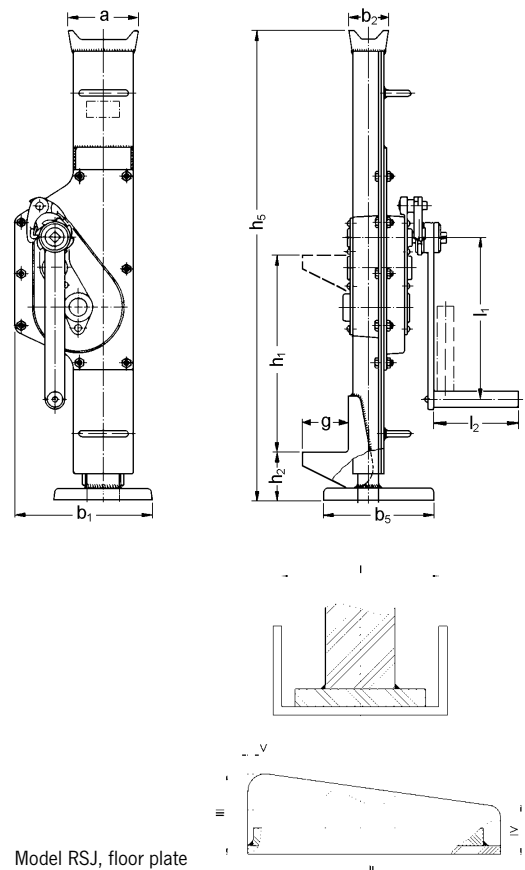
- The precisely machined gear box with optimal gear ratio ensures a minimum of effort and smooth operation.
- The load can be positioned either on the head or the claw.
- By turning the operating lever the jack moves smoothly and conveniently up and down along the rack.
- The self-locking, anti-kickback operating lever reduces the risk of injuries. The handle can be tilted for use in confined spaces.
- The load is held securely in any position. Inside the load brake the axial brake pressure is generated by the load itself, thus, it is proportional to the size of the load.
- No reduction of capacity on the claw.

Technical data model SJ and model RSJ

Model	EAN-No. 4025092*	Capacity kg	Height h5 mm	Lifting height h1 mm	Hand effort at WLL daN	Weight kg
SJ 15	*080897	1500	725	360	28	17
SJ 30	*079877	3000	735	360	28	20
SJ 50	*079884	5000	730	350	28	27
SJ 100	*080903	10000	800	410	56	43
RSJ 50	*039482	5000	740	360	28	29

Dimensions model SJ and model RSJ

Model	SJ 15	SJ 30	SJ 50	SJ 100	RSJ 50
a, mm	76	83	108	124	108
b1, mm	164	200	190	252	190
b2, mm	38	38	52	65	52
b5, mm	140	140	170	170	170
g, mm	60	65	71	86	71
h1, mm	360	360	350	410	350
h2, mm	70	70	80	85	80
h5, mm	725	735	730	800	740
l1, mm	225	249	275	300	275
l2, mm	113	128	128	250	128
I	-	-	-	-	180
II	-	-	-	-	250
III	-	-	-	-	70
IV	-	-	-	-	45
V	-	-	-	-	10



**Steel jacks acc. to DIN 7355
-with adjustable lifting claw
model STW-V**

Capacity 3000 - 10000 kg

**-with fixed lifting claw
model STW-F**

Capacity 1500 - 10000 kg

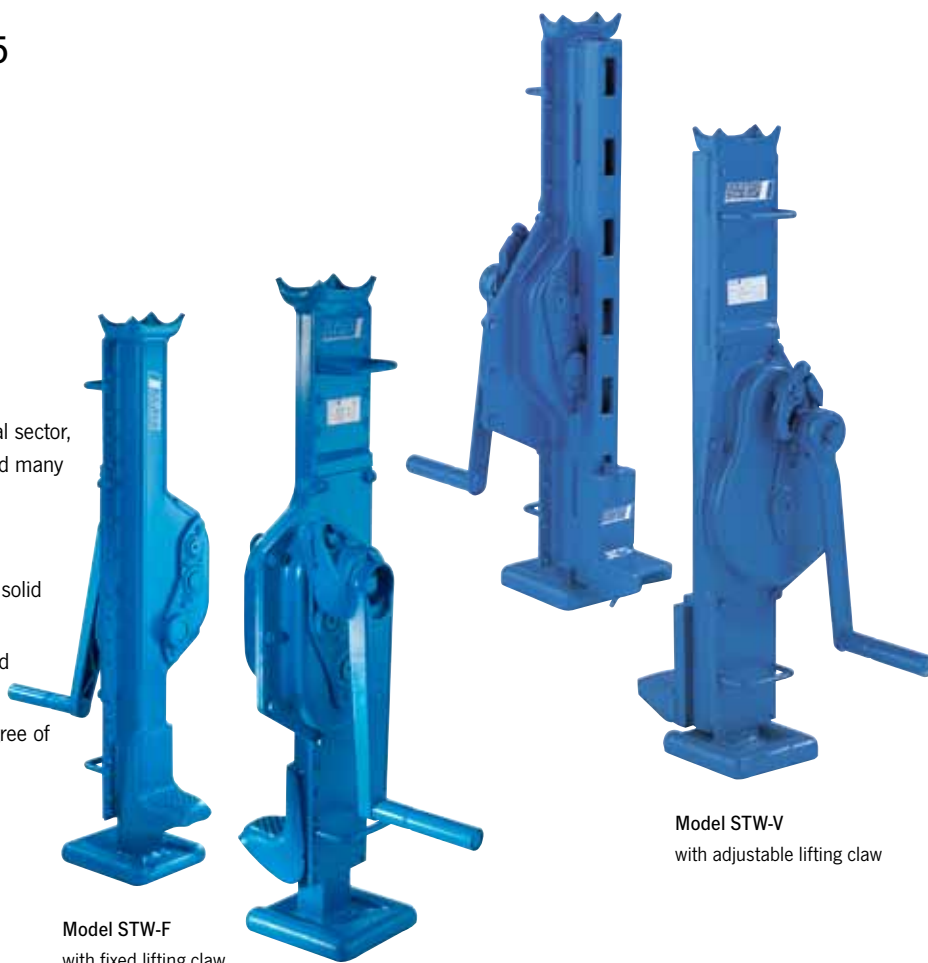
Steel jacks are traditional hoisting equipment for universal application in the forest and agricultural sector, in the industrial sector for assembly activities and many other fields of application.

Features

- The robust steel design and a toothed rack of solid material increase the service life of the jack.
- Low wear owing to hardened gearing parts and precisely machined teething.
- The precisely machined gears with a high degree of efficiency guarantees low crank forces.
- The load is supported either on the claw or the head of the steel jack.
- Robust base plate for a high level of stability.

Option

- Different crank versions

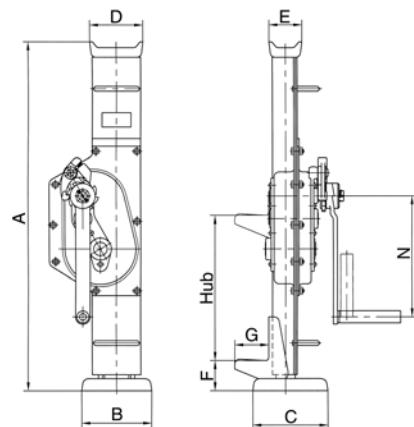


Model STW-F with fixed lifting claw

Model STW-V with adjustable lifting claw

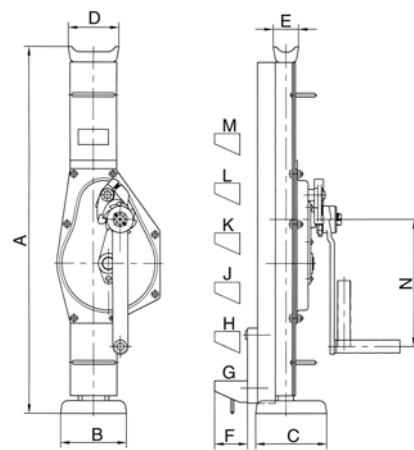
Technical data model STW-V and model STW-F

Art.-No. Sifeku	Art.-No. Siku	Art.-No. Raku	Capacity/Type kg	Height mm	Lift mm	Weight kg
030008133	030008001	030008028	3000/V	720	350	25
030009156	030009008	030009016	5000/V	720	300	30
-	030010006	030010014	10000/V	792	300	48
030001139	030001007	030001015	1500/F	720	350	12
030002135	030002003	030002011	3000/F	720	350	21
030003131	030003069	030003018	5000/F	720	300	26
-	030004006	030004014	10000/F	792	300	42



Dimensions model STW-V and model STW-F

Art.-No. Sifeku	030008133	030009156	-	030001139	030002135	030003131	-
Art.-No. Siku	030008001	030009008	030010006	030001007	030002003	030003069	030004006
Art.-No. Raku	030008028	030009016	030010014	030001015	030002011	030003018	030004014
A, mm	720	720	792	720	720	720	792
B, mm	130	145	145	130	130	145	145
C, mm	140	155	155	140	140	155	155
D, mm	100	110	125	90	90	110	125
E, mm	50	68	80	50	50	68	80
F, mm	65	65	70	60	61	62	85
G, mm	69	62	85	60	65	70	85
H, mm	166	159	191	-	-	-	-
J, mm	263	256	297	-	-	-	-
K, mm	360	353	403	-	-	-	-
L, mm	457	450	509	-	-	-	-
M, mm	554	547	615	-	-	-	-
N, mm	250	250	300	250	250	250	300



Truck body lifting jack model KHB 8, BGV D8 (VBG 8) model KHB 14, EN 1493 (VBG 14)

Capacity 3000 - 7500 kg

Truck body lifting jacks are used for supporting vehicle bridges, swap bodies and trailers; they are also used in vehicle construction and freight forwarding applications.

Features

- High-quality, torsionally stiff steel design with large base plate for a high level of stability.
- Lockable rack of solid material and synchronized running monitoring feature (VBG 14) for synchronized lifting movements with several lifting jacks.
- Hardened gearing parts and precisely machined teeth for improved handling and low wear.
- The load can either be supported on the head or on the adjustable claw.

Options

- Non-slip rubber plates for head and claw.
- Lifting beam with pendulating suspension arrangement (only for BGV D8).
- Design as truck body lifting platform jack according to VBG 14 accident prevention regulations – for working under a lifted load without additional support.



Model KHB 14
Capacity 6000 kg

Model KHB 8
Capacity 3000 kg



Option:
Lifting beam for KHB 8

Technical data model KHB

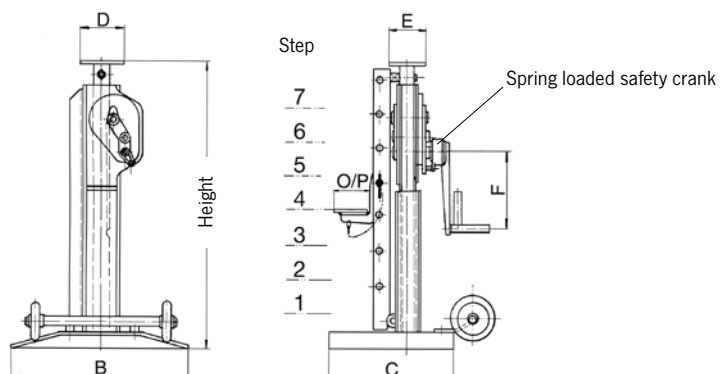
Model	Art.-No.	Capacity head kg	Claw kg	Height mm	Lifting height mm	Crank version	Gear	Weight kg
KHB 8	030077011	3000	3000	932	410	Sifeku	spur type	78
KHB 8	030080012	7500	7500	1105	500	Siku	spur type	128
KHB 14	040076015	6000	6000	1105	500	Siku	spur type	130

Step height of adjustable lifting claw for model KHB

Model	Capacity kg	1. Step mm	2. Step mm	3. Step mm	4. Step mm	5. Step mm	6. Step mm	7. Step mm
KHB 8	3000	115	227	339	451	563	675	787
KHB 8	7500	275	460	645	830	1015	-	-
KHB 14	6000	275	460	645	830	1015	-	-

Dimensions model KHB

Model	KHB 8	KHB 8	KHB 14
Art.-No.	030077011	030080012	040076015
B, mm	600	600	600
C, mm	400	400	400
D, mm	150	150	150
E, mm	120	120	120
F, mm	250	300	300
O/P, mm	100/120	159/180	150/180





Lifting jack model HB

Capacity 1000 kg

The stable lifting jack for supporting tube and bar material.

Features

- The removable supporting roller facilitates sliding of heavy loads.
- The self-locking worm gear ensures safe holding of the load.
- Large base plate for a high level of stability.

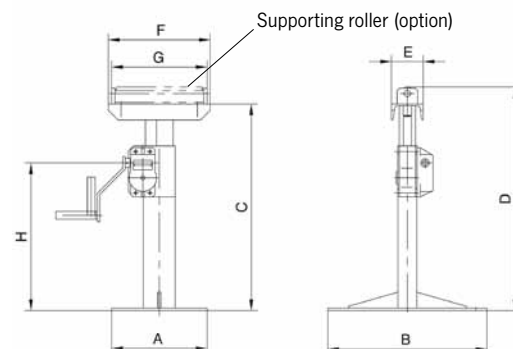
Technical data model HB

Model	Art.-No.	Capacity kg	Height mm	Lifting height mm	Weight kg
HB	030060003	1000	650	350	34

Technical data supporting roller HB-A

Model	Art.-No.	Capacity kg	Length mm	Width mm	Height mm	Weight kg
HB-A	030060011	1000	270	65	55	5

Dimensions model HB



Model	
Art.-No.	030060003
A, mm	300
B, mm	500
C, mm	650
D, mm	705
E, mm	100
F, mm	320
G, mm	300
H, mm	465



Ratchet jack model Yaletaurus

Capacity 10000 kg

Mechanical ratchet jacks with lifting claw are designed for operation in confined areas where space below the load is restricted, thus preventing the use of traditional lifting equipment. The Yaletaurus is the ideal unit for lifting, positioning or transportation of machines resp. heavy objects as well as for repair and assembly jobs in cramped areas and under toughest conditions.

In spite of its capacity of 10000 kg the Yaletaurus has a weight of just 30 kg and the integrated carrying handle makes it a portable, versatile tool.

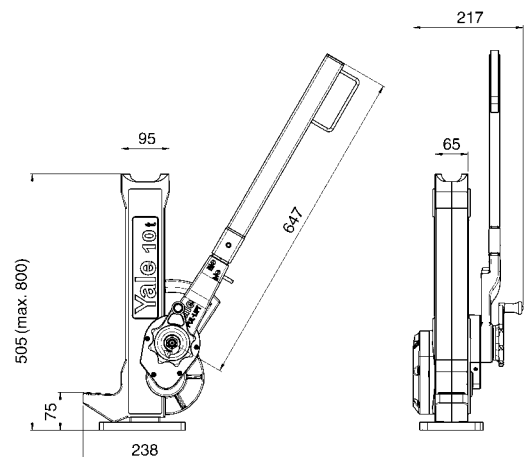
With a hand force of 45 kg on the detachable hand lever, the Yaletaurus will lift, press, push or lower a load of 10000 kg in any direction. A standard crank wheel will bring the jack quickly to the required position.

Features

- Automatic screw-and-disc type load brake.
The axial brake pressure is generated by the load itself and is, therefore, proportional to the size of the load. The load is held secure in any position.
- Single part housing made from spheroidal cast iron with integrated lifting claw.
- The screw-and-disc type load brake originates from the Yale PUL-LIFT® (spare parts are easily available).
- Low lever pull and long life endurance due to optimum gearing and high quality materials.

Technical data model Yaletaurus

Model	EAN-No. 4025092*	Capacity on the head kg	Capacity on the claw kg	Height mm	Lifting height mm	Hand effort at WLL daN	Weight kg
Taurus	*076043	10000	7000	505	295	45	31.1





Model ZWW
Capacity 250 kg



Model ZWW
Capacity 1000 kg



Model ZWW
Capacity 1500 kg



Model ZWW
Capacity 10000 kg

Wall-mounted rack and pinion jacks model ZWW

Capacity 250 - 10000 kg

Wall-mounted rack and pinion jacks are used for lifting, lowering, pulling and pushing of loads.

Features

- Robust steel design with precisely machined worm and spur gears for smooth and easy manual operation.
- Solid steel rack with additional bore hole for fastening of the load.
- Low wear owing to hardened gearing parts and precisely machined teething.
- Suitable for a lifting load of up to 5000 kg for pushing and pulling loads.
- Rigid wall mounting.

Options

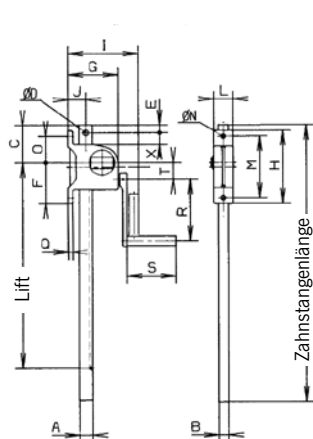
- Rack extensions
- Special fastening arrangements for shaft and rack
- Improved corrosion protection owing to zinc-plating, nickel-plating
- Spring loaded safety lock with removable crank (up to 5000 kg)

Technical data model ZWW

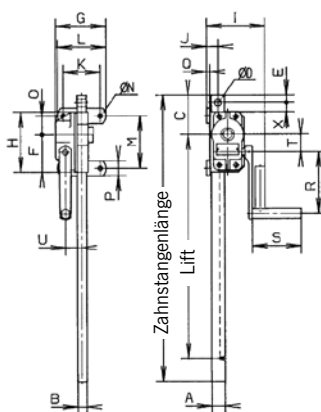
Art.-No.	Gear type	Load safety	Capacity kg	Lift per crank rotation mm	Crank effort daN	Rack length mm	Lift mm	Weight kg
030052000	Worm gear	self-locking	250	11	11	740	550	9
030053007	Worm gear	self-locking	500	11	16.5	895	700	10
030054003	Worm gear	self-locking	1000	3.8	22	765	600	11
030055131	Spur gear	Sifeku	1500	14	28	1090	800	11
030056138	Spur gear	Sifeku	3000	8.6	28	975	565	19
030057134	Spur gear	Sifeku	5000	4.5	28	1170	700	28
030058009	Spur gear	Siku	10000	3.2	40	1240	700	55

Dimensions model ZWW

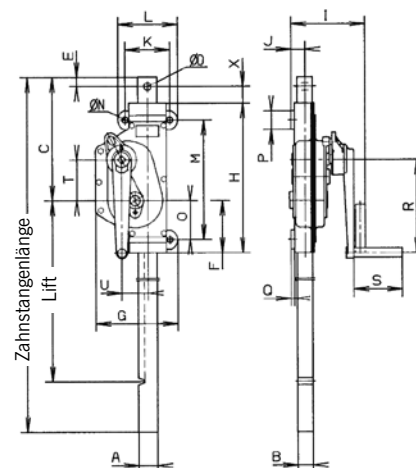
Art.-No.	030052000	030053007	030054003	030055131	030056138	030057134	030058009
A, mm	35	35	35	35	45	50	60
B, mm	25	25	25	25	30	40	50
C, mm	100	100	105	215	280	330	380
D Ø, mm	16	16	21	21	21	21	30
E, mm	20	20	20	20	25	25	30
F, mm	109.5	109.5	100	135	165	140	160
G, mm	133	133	134	151	212	219	269
H, mm	195	195	160	310	395	400	480
I, mm	188	188	155	168	179	197	200
J, mm	47.5	47.5	29.5	26	31	37	39.5
K, mm	-	-	100	100	120	120	140
L, mm	52	52	130	130	160	160	180
M, mm	165	165	140	260	305	320	410
N Ø, mm	12.5	12.5	12.5	12.5	14.5	17	21
O, mm	70.5	70.5	50	110	120	105	125
P, mm	-	-	40	40	50	50	60
Q, mm	12	12	8	8	10	10	10
R, mm	165	220	165	250	250	250	300
S, mm	130	130	130	130	130	130	250
T, mm	44.5	44.5	46.8	42.4	86.25	109.1	150.4
U, mm	-	-	44	43.3	53.1	69.5	88.3
X, mm	32	32	25	20	25	45	30



Model ZWW
Capacity 250 - 500 kg



Model ZWW
Capacity 1000 kg



Model ZWW
Capacity 1500 - 10000 kg



with ratchet

Construction screw jack model BSW

Capacity 12000 - 30000 kg

The construction screw jack is ideally suited for supporting extremely large loads

Features

- Self-locking spindle drive for precise levelling of loads.
- High-quality trapezoidal spindle for a long service life of the jack.

Options

- Welded-on carrying handles for easy transport of the jack.
- Plug-in lever for reaching the required lifting height easily and quickly.
- Special lifting heights.

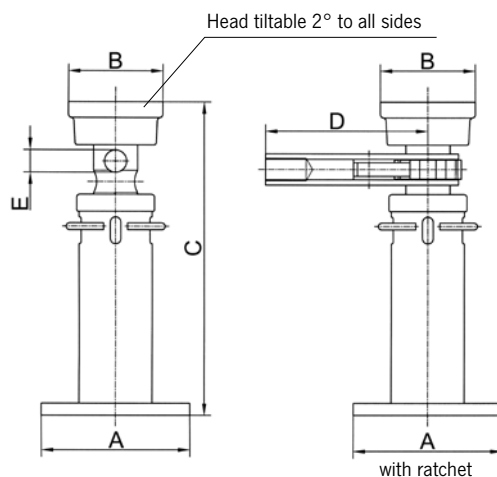
Technical data model BSW

Art.-No. without ratchet	Art.-No. with ratchet	Capacity static t	Capacity dynamic t	Lift mm	Spindle diameter mm	Base plate mm	Head plates mm	Weight kg
031901001	031901044	12	10	200	50	220x220	120x120	21/22*
031902008	031902016	20	10	200	65	220x220	140x140	22/24*
031903004	031903012	30	5	177	85	300x300	140x140	46/48*

*with ratchet

Dimensions model BSW

Art.-No. without ratchet	031901001	031902008	031903004
Art.-No. with ratchet	031901044	031902016	031903012
A, mm	220	220	300
B, mm	120	140	140
C, mm	420	461	470
D, mm	220	240	240
Ø E, mm	25	33	33



Worm gear drive model S 20 and model S 24

The worm gear drives are suitable for a large variety of applications in construction for moving or turning loads, as gears for rope drums or chain sprockets or slewing drives.

Features

- Enclosed housing for the protection of parts inside.
- Enclosed and precisely machined gear for little effort and a long service life.



Model S 20



Model S 24

Technical data model S 20 & Modell S 24

Model	Art.-No.	Ratio	Drive torque daNm	Required crank effort daN	Shaft length mm	Shaft diameter mm	Hole spacing mm
S 20	032626004	20:1	12	11	196	25	5
S 24	032626020	24:1	36	22	200	36	5

